

FRYTOP ELETTRICO E900XP ELECTRIC FRYTOP E900XP

PNC	Model	Ref	Brand	Version	Notes
190022	E9FTEHSR00	t1	ELX	EL	RIBBED SLOPED 800MM
190044	E9FTEDHS06	u1	ELX	EL	SMOOTH HORIZONTAL PLATE 400 MM – 440V
391067	E9FTEDHS00	a	ELX	EL	SMOOTH HORIZONTAL PLATE 400 MM – 400V
391068	E9FTEDSR00	b	ELX	EL	RIBBED SLOPED PLATE 400 MM
391069	E9FTEHHS00	c	ELX	EL	SMOOTH HORIZONTAL PLATE 800 MM
391070	E9FTEHSP00	d	ELX	EL	SMOOTH+RIBBED SLOPED 800MM
391071	E9FTEHSPE0	e	ELX	EL	SMOOTH+RIBB.SLOPED+OVEN 800MM
391072	E9FTEDCS00	f	ELX	EL	CHR.SMOOTH SLOPED PLATE 400 MM
391073	E9FTEHCS00	g	ELX	EL	CHR.SMOOTH SLOPED PLATE 800 MM
391074	E9FTEHCP00	h	ELX	EL	CHR.SMOOTH+RIBBED SLOPED 800
391171	E9FTEDHS0N	i	ELX	EL	SMOOTH HORIZ.PLATE 400MM-230V
391172	E9FTEDSR0N	j	ELX	EL	RIBBED SLOPED PLATE 400MM-230V
391173	E9FTEHHS0N	k	ELX	EL	SMOOTH HORIZ.PLATE 800MM-230V
391174	E9FTEHSP0N	l	ELX	EL	SMOOTH+RIBB.SLOPED 800 MM-230V
391175	E9FTEDCS0N	m	ELX	EL	CHR.SMOOTH SLOPED 400 MM-230V
391176	E9FTEHCS0N	n	ELX	EL	CHR.SMOOTH SLOPED 800 MM-230V
391177	E9FTEHCP0N	o	ELX	EL	CHR.SMOOTH+RIB.SLOP.800MM-230V
391349	E9FTEHSR00	v1	ELX	EL	FRYTOP FULL RIBBED SLOPED 800 M
392067	Z9FTEDHS00	p	ZAN	EL	SMOOTH HORIZONTAL PLATE 400 MM
392068	Z9FTEDSR00	q	ZAN	EL	RIBBED SLOPED PLATE 400 MM
392069	Z9FTEHHS00	r	ZAN	EL	SMOOTH HORIZONTAL PLATE 800 MM
392070	Z9FTEHSP00	s	ZAN	EL	SMOOTH+RIBBED SLOPED 800MM
392071	Z9FTEHSPE0	t	ZAN	EL	SMOOTH+RIBB.SLOPED+OVEN 800MM
392072	Z9FTEDCS00	u	ZAN	EL	CHR.SMOOTH SLOPED PLATE 400 MM
392073	Z9FTEHCS00	v	ZAN	EL	CHR.SMOOTH SLOPED PLATE 800 MM
392074	Z9FTEHCP00	w	ZAN	EL	CHR.SMOOTH+RIBBED SLOPED 800
392171	Z9FTEDHS0N	x	ZAN	EL	SMOOTH HORIZ.PLATE 400MM-230V
392172	Z9FTEDSR0N	y	ZAN	EL	RIBBED SLOPED PLATE 400MM-230V
392173	Z9FTEHHS0N	z	ZAN	EL	SMOOTH HORIZ.PLATE 800MM-230V
392174	Z9FTEHSP0N	a1	ZAN	EL	SMOOTH+RIBB.SLOPED 800 MM-230V
392175	Z9FTEDCS0N	b1	ZAN	EL	CHR.SMOOTH SLOPED 400 MM-230V
392176	Z9FTEHCS0N	c1	ZAN	EL	CHR.SMOOTH SLOPED 800 MM-230V
392177	Z9FTEHCP0N	d1	ZAN	EL	CHR.SMOOTH+RIB.SLOP.800MM-230V
393067	A9FTEDHS00	e1	OEM	EL	SMOOTH HORIZONTAL PLATE 400 MM
393068	A9FTEDSR00	f1	OEM	EL	RIBBED SLOPED PLATE 400 MM
393069	A9FTEHHS00	g1	OEM	EL	SMOOTH HORIZONTAL PLATE 800 MM

Index

General components / Componenti struttura
Spare parts list / Lista ricambi

Page

3-4
5-7

Bold=last change / Grassetto =ultima modifica

Rev. 6

From Ser. Nr.016 Up to Ser. Nr.	Ed. 2011-04 Updated 2023-03	Page: 1	Doc No:59785FY00
------------------------------------	--------------------------------	---------	-------------------------

FRYTOP ELETTRICO E900XP ELECTRIC FRYTOP E900XP

PNC	Model	Ref	Brand	Version	Notes
393070	A9FTEHSP00	h1	OEM	EL	SMOOTH+RIBBED SLOPED 800MM
393071	A9FTEHSPE0	i1	OEM	EL	SMOOTH+RIBB.SLOPED+OVEN 800MM
393072	A9FTEDCS00	j1	OEM	EL	CHR.SMOOTH SLOPED PLATE 400 MM
393073	A9FTEHCS00	k1	OEM	EL	CHR.SMOOTH SLOPED PLATE 800 MM
393074	A9FTEHCP00	l1	OEM	EL	CHR.SMOOTH+RIBBED SLOPED 800
393171	A9FTEDHS0N	m1	OEM	EL	SMOOTH HORIZ.PLATE 400MM-230V
393172	A9FTEDSR0N	n1	OEM	EL	RIBBED SLOPED PLATE 400MM-230V
393173	A9FTEHHS0N	o1	OEM	EL	SMOOTH HORIZ.PLATE 800MM-230V
393174	A9FTEHSP0N	p1	OEM	EL	SMOOTH+RIBB.SLOPED 800 MM-230V
393175	A9FTEDCS0N	q1	OEM	EL	CHR.SMOOTH SLOPED 400 MM-230V
393176	A9FTEHCS0N	r1	OEM	EL	CHR.SMOOTH SLOPED 800 MM-230V
393177	A9FTEHCP0N	s1	OEM	EL	CHR.SMOOTH+RIB.SLOP.800MM-230V

Index

General components / Componenti struttura
 Spare parts list / Lista ricambi

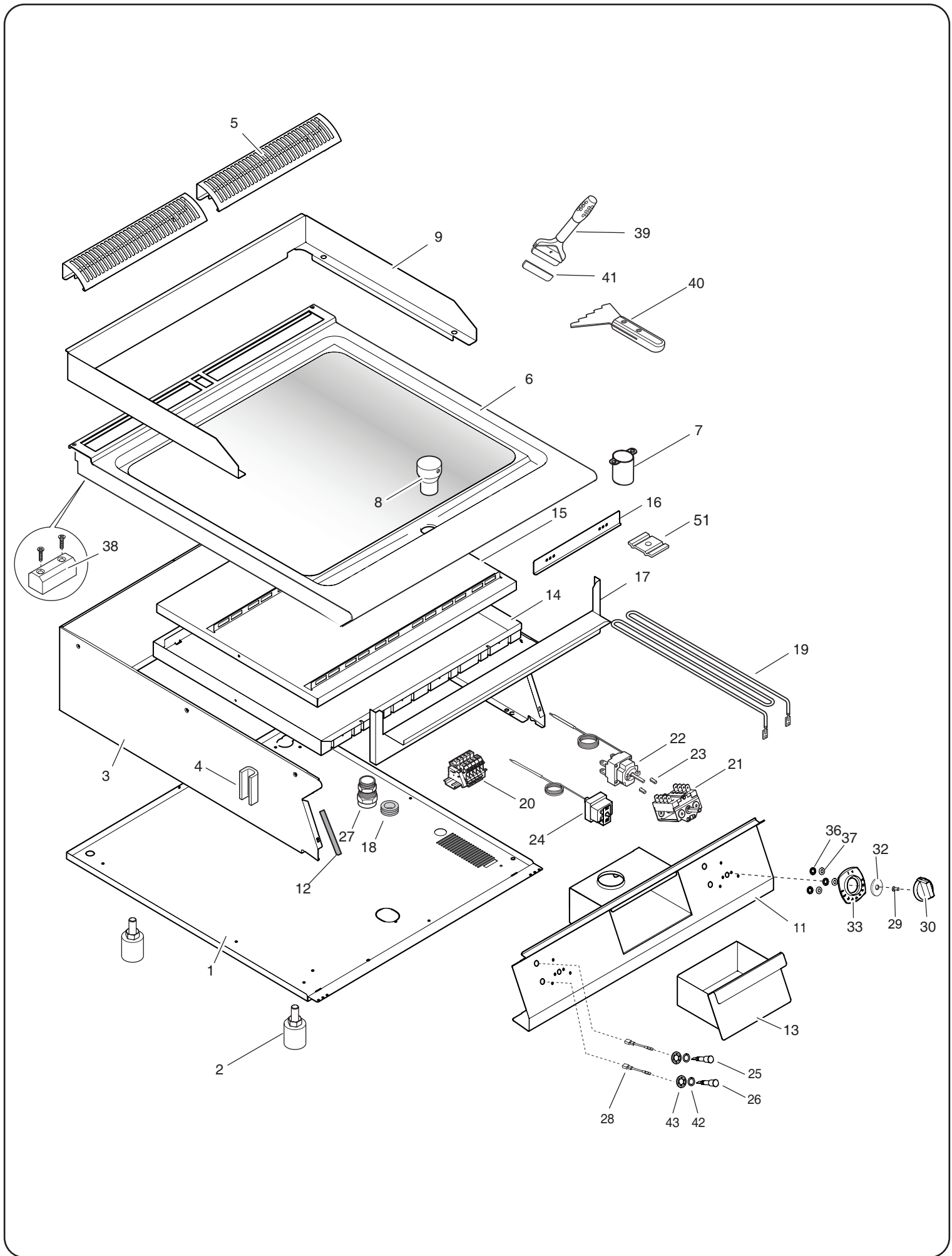
Page

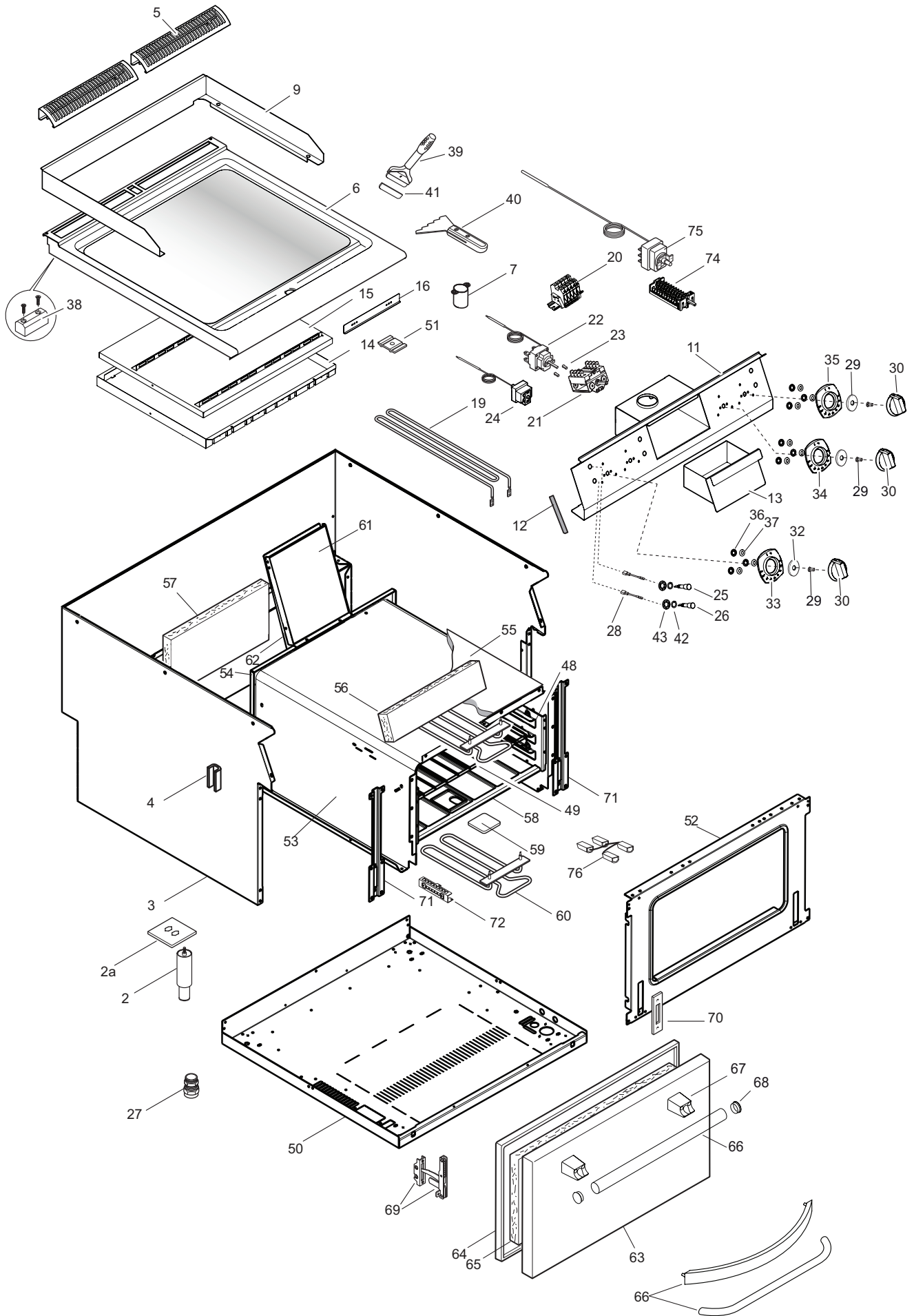
3-4
 5-7

Bold=last change / Grassetto =ultima modifica

Rev. 6

From Ser. Nr.016 Up to Ser. Nr.	Ed. 2011-04 Updated 2023-03	Page: 2	Doc No:59785FY00
------------------------------------	--------------------------------	---------	-------------------------





FRYTOP ELETTRICO E900XP
ELECTRIC FRYTOP E900XP

Pos	Factory Code	Spare Code	Descrizione	Description	Ref./Notes
			PAGINE 3-4	PAGES 3-4	
1	0530813307	*	FONDO 400mm	BOTTOM PANEL 400	TOP
1	0530813406	*	FONDO 800mm	BOTTOM PANEL 800	TOP
2	0315252601	026806	PIEDINO	FOOT	TOP
2	0835856901	0C0204	PIEDINO	FOOT	WITH OVEN
2a	050589CD00	0TTG45	PIASTRA DI RINFORZO PER PIEDE	PLATE FOR FOOT	WITH OVEN
3	085089DR02	0CA013	RIVESTIMENTO TOP 400	EXTERNAL PANEL 400	ELX
3	085089DU02	*	RIVESTIMENTO TOP 400	EXTERNAL PANEL 400	ZAN, OEM
3	085089DS02	0C9625	RIVESTIMENTO TOP 800	EXTERNAL PANEL 800	TOP - ELX
3	085089DV02	0C9937	RIVESTIMENTO TOP 800	EXTERNAL PANEL 800	TOP - ZAN, OEM
3	085089DZ02	0C9010	RIVESTIMENTO MONOBLOCCO 800	EXTERNAL PANEL FREESTANDING 800	ELX
3	085089F402	0C8984	RIVESTIMENTO MONOBLOCCO 800	EXTERNAL PANEL FREESTANDING 800	ZAN, OEM
4	0527850500	0C0156	SQUADRA FISS.FIANCHI N900	SIDE PANEL JOINTING PLATE	
5	050389LP00	0C7333	GRIGLIA CAMINO	CHIMNEY GRID	
6	0875899G00	0C7469	PIASTRA-RIP. ORIZZ.400 FE LISCIA	SHELF, SMOOTH FLAT PLATE 400	ELX
6	0875899T00	0C7476	PIASTRA-RIP. ORIZZ.800 FE LISCIA	SHELF, SMOOTH FLAT PLATE 800	ELX
6	0875899P00	0C7473	PIASTRA-RIP. INCL. 400 FE RIGATA	SHELF, RIBBED PLATE 400	ELX
6	0875899M00	0C7471	PIASTRA-RIP.INCL.800 FE 1/3RIGATA	SHELF, 1/3 RIBBED PLATE 800	ELX
6	0875899R01	0C7474	PIASTRA-RIP.INCL.400 CR LISCIA	SHELF, CHROME SM. PLATE 400	ELX
6	0875899V01	0C7478	PIASTRA-RIP.INCL.800 CR LISCIA	SHELF, CHROME SM. PLATE 800	ELX
6	0875899X01	0C7480	PIASTRA-RIP.INCL.800 CR 1/3RIGATA	SHELF, CHROME 1/3 RIB. PLATE 800	ELX
6	087589F800	0CA655	PIASTRA-RIP.INCL.800 FE TUTTA RIGATA	SHELF, RIBBED PLATE 800	ELX
6	087089FF01	0C7450	PIASTRA-RIP. ORIZZ.400 FE LISCIA	SHELF, SMOOTH FLAT PLATE 400	ZAN, OEM
6	087089FH01	0C7452	PIASTRA-RIP. ORIZZ.800 FE LISCIA	SHELF, SMOOTH FLAT PLATE 800	ZAN, OEM
6	087089FZ01	0C7456	PIASTRA-RIP. INCL. 400 FE RIGATA	SHELF, RIBBED PLATE 400	ZAN, OEM
6	087089G001	0C7457	PIASTRA-RIP.INCL.800 FE 1/3RIGATA	SHELF, 1/3 RIBBED PLATE 800	ZAN, OEM
6	087089G102	0C7458	PIASTRA-RIP.INCL.400 CR LISCIA	SHELF, CHROME SM. PLATE 400	ZAN, OEM
6	087089FY02	0C7455	PIASTRA-RIP.INCL.800 CR LISCIA	SHELF, CHROME SM. PLATE 800	ZAN, OEM
6	087089G202	0C7459	PIASTRA-RIP.INCL.800 CR 1/3RIGATA	SHELF, CHROME 1/3 RIB. PLATE 800	ZAN, OEM
7	0806875201	0C6254	TUBO SCARICO GRASSI	DRAIN PIPE	
8	0511833100	0C6384	TAPPO	STOPPER	TOP - SMOOTH FLAT PLATE
9	0530899901	0C6386	PARASPRUZZI 400 mm	SPLASHBACK 400 mm	
9	0530899801	0C6385	PARASPRUZZI 800 mm	SPLASHBACK 800 mm	
11	085589AC03	0C7434	CRUSCOTTO 400 mm	CONTROL PANEL 400	ELX
11	085589AB03	0C7433	CRUSCOTTO 800 mm	CONTROL PANEL 800	ELX
11	085589AD04	0C7435	CRUSCOTTO 800 mm + FORNO	CONTROL PANEL 800 + OVEN	OVEN, ELX
11	087089FG02	0C7451	CRUSCOTTO 400 mm	CONTROL PANEL 400	ZAN
11	087089FJ03	0C7453	CRUSCOTTO 800 mm	CONTROL PANEL 800	ZAN
11	087089HQ04	0C7467	CRUSCOTTO 800 mm + FORNO	CONTROL PANEL 800 + OVEN	OVEN, ZAN
11	087089HM04	0C7464	CRUSCOTTO 400 mm	CONTROL PANEL 400	OEM
11	087089HN04	0C7465	CRUSCOTTO 800 mm	CONTROL PANEL 800	OEM
11	087089HP02	0C7466	CRUSCOTTO 800 mm + FORNO	CONTROL PANEL 800 + OVEN	OVEN, OEM
12	0543821900	0C2496	GUARNIZIONE CRUSCOTTO	GASKET FOR CONTROL PANEL	
13	085089CV01	0C7205	CASSETTO 400 mm	DRAWER, FRYTOP 400	
13	085089CX01	0C7303	CASSETTO 800 mm	DRAWER, FRYTOP 800	
14	0528886701	0TTZW1	SCATOLA RESISTENZE 400 mm	BOX FOR HEATING ELEM.400	400 mm
14	0528887101	0CB649	SCATOLA RESISTENZE 800 mm	BOX FOR HEATING ELEM.800	800 mm
15	0528886801	0TTZW2	CONTROSCATOLA RESISTENZE 400	BOX FOR HEATING ELEM.400	400 mm
15	0528887201	0TTZLE	CONTROSCATOLA RESISTENZE 800	BOX FOR HEATING ELEM.800	800 mm

FRYTOP ELETTRICO E900XP
ELECTRIC FRYTOP E900XP

Pos	Factory Code	Spare Code	Descrizione	Description	Ref./Notes
16	0528886900	0TTZW3	FERMO RESISTENZE	BRACKET, HEATING ELEM.	
17	0529804701	*	PARETE INTERMEDIA 400 mm	INTERMEDIATE WALL 400	400 mm
17	0529804101	0CB650	PARETE INTERMEDIA 800 mm	INTERMEDIATE WALL 800	800 mm TOP
18	0246520500	050180	PASSACAPO - DIA.23	GROMMET DIA.23	TOP
19	0617823500	006681	RESISTENZA 2500W 400V	HEATING ELEMENT 2500W 400V	400V
19	0617823600	006682	RESISTENZA 2500W 230V	HEATING ELEMENT 2500W 230V	230V
19	061783AA00	0CA653	RESISTENZA 2500W 440V	HEATING ELEMENT 2500W 440V	440V
20	0639808700	0F0035	MORSETTIERA	MAIN TERMINAL BLOCK	TOP
20	0639808600	0F0112	MORSETTIERA	MAIN TERMINAL BLOCK	WITH OVEN
21	0641803400	006649	COMMUTATORE	SWITCH	
22	0646805302	059235	TERMOSTATO TRIPOL. 100-285°C	THERMOSTAT	
23	0214123600	050256	PERNO COLLEGAMENTO	PIN	
24	0646808102	004269	LIMITATORE DI TEMPERATURA	SAFETY THERMOSTAT	
25	0876800002	005010	ASSIEME LAMPADINE VERDE TONDA	GREEN LAMP	
26	0876800102	005011	ASSIEME LAMPADINE ARANCIO TONDA	YELLOW LAMP	
27	0544802300	0C0068	PRESSACAPO PG 21	TOUGHTENER CORD	TOP
27	0544802400	0C3528	PRESSACAPO PG 21	TOUGHTENER CORD	WITH OVEN
28	0638865101	005370	RESISTENZA DI CADUTA	LEAKAGE RESISTANCE	
29	0548877V00	0C7345	ADATTATORE MANOPOLA	KNOB ADAPTER	ELX
30	0511850G01	0C6670	MANOPOLA	KNOB	ELX
30	0548878201	0C7232	MANOPOLA	KNOB	ZAN
30	0548865500	0A5621	MANOPOLA	KNOB	OEM
32	0543821000	053816	GUARNIZIONE PER MANOPOLA	GASKET KNOB	
33	0548877P00	0C7626	GHIERA MANOPOLA COMMUTATORE	KNOB RING FOR SWITCH	ELX
33	0548879Z00	0C7430	GHIERA MANOPOLA COMMUTATORE	KNOB RING FOR SWITCH	ZAN, OEM
34	0548877J00	0C7231	GHIERA MANOPOLA COMMUTATORE	KNOB RING FOR SWITCH	OVEN, ELX
34	0548879U00	0C7247	GHIERA MANOPOLA COMMUTATORE	KNOB RING FOR SWITCH	OVEN, ZAN, OEM
35	0548877S01	0C7343	GHIERA MANOPOLA TERMOSTATO	KNOB RING FOR THERMOSTAT	OVEN, ELX
35	0548879D00	0C7242	GHIERA MANOPOLA TERMOSTATO	KNOB RING FOR THERMOSTAT	OVEN, ZAN, OEM
36	0218912211	069567	MOLLETTA PER GHIERA	SPRING FOR KNOB RING	
37	0541813800	0C6171	RONDELLA IN SILICONE	SILICONE WASHER	
38	0516860702	0C0137	N9 PIASTRINA FILETTATA FISSAGGIO POSTERIORE RIPIANO	JOINTING REAR PLATE	
39	0805848204	055995	RASCHIETTO PER PIASTRA LISCIA	SCRAPER	
40	0830851300	056940	RASCHIETTO PER PIASTRA RIGATA	SCRAPER FOR RIBBED PLATE	RIBBED
41	0506887401	056347	LAMA PER RASCHIETTO	BLADE FOR SCRAPER	
42	0543826400	0C2183	OR LAMPADA	OR LAMP	
43	0527815500	0C2184	MOLLETTA FISS. LAMPADA	FIXING SPRING FOR LAMP	
48	051489AH00	0C7335	GUIDA PER TEGLIE FORNO	GRATE LEADING	
49	0330260843	025020	GRIGLIA FORNO	GRATE OVEN	
50	05038A1Y02	*	FONDO	BOTTOM PANEL	WITH OVEN
51	0206250401	051383	PIASTRINA FISSAGGIO CAPILLARE	PLATE, CAPILLARY FIXING	
52	0870838210	0C0218	FACCIATA FORNO	FRONT OVEN	
53	0529846409	*	CELLA FORNO	OVEN CELL	WITH OVEN
54	0529835706	*	SCHIENALE CELLA FORNO	REAR SIDE PANEL OVEN CELL	WITH OVEN
55	0560840200	0C0255	ISOLAMENTO INVOLUCRO FORNO	INSULATION OVEN	WITH OVEN
56	0560873X00	0C8729	ISOLAMENTO ANTERIORE CELLA FORNO	FRONT SIDE INSULATION	WITH OVEN
57	0560839502	0C0196	ISOLAMENTO SCHIENALE FORNO	REAR SIDE INSULATION	WITH OVEN
58	0510818902	0C0123	SUOLA GHISA FORNO	SOLE PLATE	
59	0800833100	0C0198	COPERTURA FORO ACCENSIONE	PILOT COVER OVEN	
60	0617832400	0C2813	RESISTENZA PER FORNO 1500W 400V	HEATING ELEMENT 1500W 400V	

FRYTOP ELETTRICO E900XP
ELECTRIC FRYTOP E900XP

Pos	Factory Code	Spare Code	Descrizione	Description	Ref./Notes
61	0529836403	*	ANTERIORE CAMINO FORNO	FRONT CHIMNEY OVEN	
62	0529836503	*	POSTERIORE CAMINO FORNO	REAR CHIMNEY OVEN	
63	50389G502	0C8541	PORTA FORNO	DOOR, OVEN	
64	50389G602	0C7273	CONTROPORTA	INNER DOOR OVEN	
65	0560839601	0C0197	ISOLAMENTO PORTA FORNO	INSULATION, OVEN DOOR	
66	051589A500	0C7274	MANIGLIA FORNO	HANDLE, OVEN DOOR	ELX
66	051589A602	0C7226	MANIGLIA FORNO	HANDLE, OVEN DOOR	ZAN
66	083089FY00	0C7946	MANIGLIA FORNO	HANDLE, OVEN DOOR	OEM
67	0530R01702	0C6891	BLOCCHETTO MANIGLIA	HANDLE SUPPORT	ELX
68	0530R01802	0C6823	TAPPO CHIUSURA MANIGLIA	STOPPER FOR HANDLE	ELX
*	085589A302	0C7271	ASSIEME PORTA FORNO	COMPLETE DOOR	ELX
*	085589CH04	0C7276	ASSIEME PORTA FORNO	COMPLETE DOOR	ZAN
*	085589CQ02	0C7278	ASSIEME PORTA FORNO	COMPLETE DOOR	OEM
69	0835848100	0C0203	CERNIERA-PORTARULLINO	HINGE	
70	0205075423	052725	COPRICERNIERA	HINGE COVER	
71	0529835404	0C5244	SUPPORTO CERNIERA FORNO STATICO	SUPPORT FOR HINGE	
72	0538862800	0C6444	GRIGLIETTA PROTEZIONE BULBO	PROTECTION PROBE	
74	0641803700	0C0320	COMMUTATORE FORNO	SWITCH OVEN	Up to 3461
74	0641805600	0C9725	COMMUTATORE FORNO	SWITCH OVEN	From 3471
75	0646808600	004600	TERMOSTATO DI SICUREZZA FORNO	SAFETY THERMOSTAT OVEN	
76	063889BD00	0CA793	RESISTENZA DI DISPERSIONE	LEAKAGE RESISTANCE	WITH OVEN